

Figure 1. System dynamics (SD) model of factors influencing physicians' decision thresholds

Figure 1a. Central decision Model

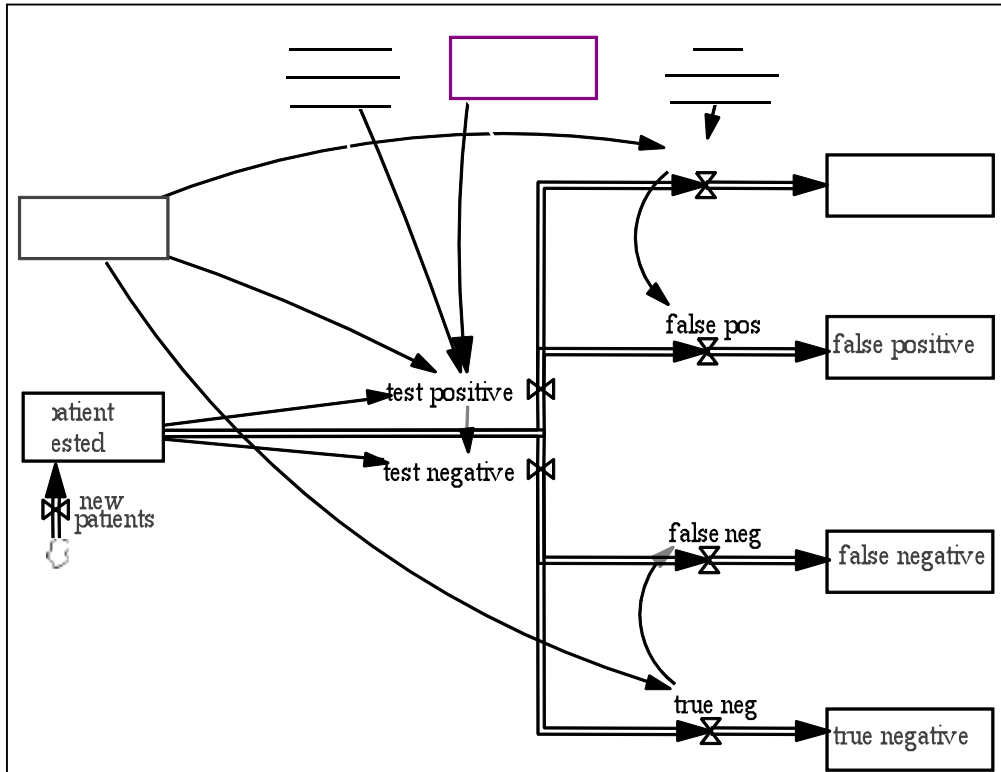


Figure 1b. Errors known to the physician

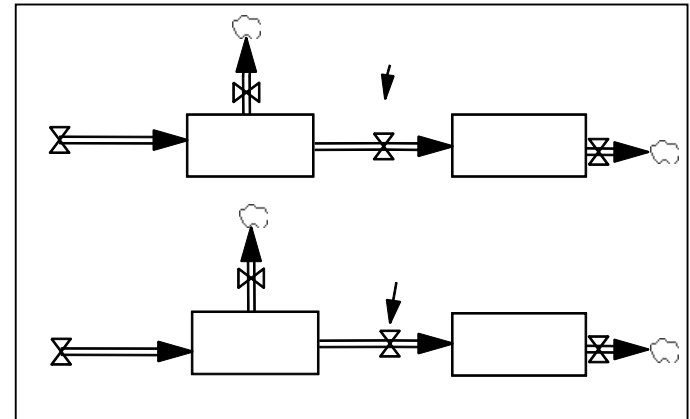
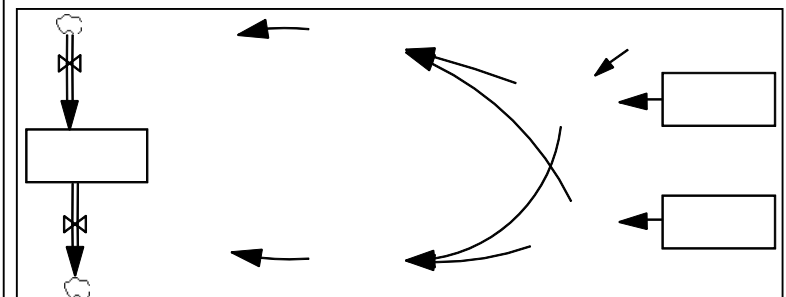


Figure 1c. Effect of regret on probability threshold



Legend. System dynamics (SD) models are depicted using stock-and-flow diagrams, where boxes indicate stocks and arrows with double lines indicate flows. For example, "known false positives" is a stock which can rise if the flow in (FP detected) is greater than the flow out (FP forgotten). Arrows with single lines indicate the effect of parameters on other variables in the model. A table of equations describing the relationship among variables, as well as a copy of the full model, are provided among the supplementary materials.